

## HBL2341 -- Twist-Lock Plug



2P3W, 20A 480V AC, L8-20P, Black & White Nylon

### Product Specifications

#### Product Type



<b>Product Item</b>	Plug
<b>Wiring Scheme</b>	2 Pole, 3 Wire Grounding
<b>Amperage</b>	20A
<b>Voltage</b>	480V AC
<b>NEMA Configuration</b>	L8-20P
<b>Item Style</b>	Insulgrip
<b>Device Color</b>	Black/White
<b>Horsepower</b>	3
<b>Cord Dia.</b>	.360"-.930" (9-24)
<b>Blade Holder Material</b>	Natural White Nylon
<b>Terminal Retainer Material</b>	Clear polycarbonate
<b>Housing Material</b>	Black nylon
<b>Cord Clamp Material</b>	Natural (white) nylon

<b>Blade Material</b>	Brass
<b>Terminal Clamp Material</b>	.08" (2) steel-nickel plated
<b>Terminal Screw Material</b>	#10-32 Brass (white finish on neutral screw when used) Multi-drive
<b>Ground Screw Material</b>	#10-32 Brass (green finish) Multi-drive
<b>Cord Clamp Screw Material</b>	Steel, zinc plated Multi-drive
<b>Body Holding Screw Material</b>	Steel, zinc plated Multi-drive
<b>Ratings</b>	Molded into face.
<b>Catalog No.</b>	Permanently ink marked on body.
<b>Dielectric Voltage Withstand</b>	2,000V minimum
<b>Current Interrupting</b>	Certified for current interrupting at full rated current.
<b>Temperature Rise</b>	Max 30 C temperature rise at full rated current after 50 cycles of overload at 150% of rated current at a power factor of .75.
<b>Cord Accommodation</b>	Round portable service cords of diameters commensurate with the device rating as defined in UL Standard 62, CSA C22.2 No. 49.
<b>Terminal Accommodation</b>	20A #12 AWG
<b>Terminal Identification</b>	Terminals identified in accordance with UL 498 (X, Y, Z, White, Green)
<b>Flammability</b>	HB or better per UL 94 or CSA 22.2 No. 0.6
<b>Operating Temperatures</b>	Maximum Continuous 75 C Minimum -40 C (w/o impact)
<b>Moisture Resistance</b>	IP20
<b>Listings</b>	FED SPEC UL/CSA
<b>Feature Info</b>	Black and white nylon.
<b>Catalog Page</b>	<a href="#">Click here for catalog page B26</a>
<b>Brochures</b>	<a href="#">Click here for product brochure</a>
<b>Hubbellnet</b>	<a href="#">Click here for Hubbellnet</a>
<b>Catalog Section</b>	<a href="#">Click here for Section-B</a>
<b>UPC Number</b>	78358503795
<b>Weight in LBs</b>	0.3



NEMA LS-20P  
**20A 480V AC**  
UL105A  
3 HP

NEMA  
Configuration

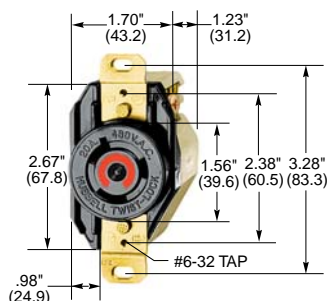


## TWIST-LOCK® Devices

### 2 Pole, 3 Wire Grounding

20 Ampere, 347, 480 and 600 Volts AC

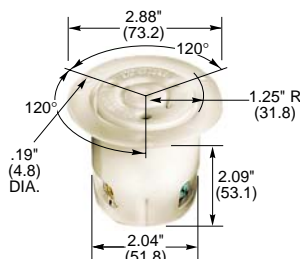
Receptacles, INSULGRIP® Connector Bodies, Flanged Devices and Plugs



**HBL2340**



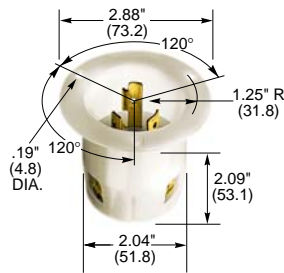
**HBL2343**



**HBL2346**



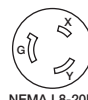
**HBL2341**



**HBL2345**



NEMA L24-20R  
20A 347V AC  
UL/CSA



NEMA L8-20R  
20A 480V AC  
UL/CSA  
3 HP



NEMA L9-20R  
20A 600V AC  
UL/CSA

### Single Flush Receptacles, Back and Side Wired

Description	Catalog Numbers		
Black nylon face.	<b>HBL3720</b>	<b>HBL2340</b>	<b>HBL2350</b>
Isolated ground, orange nylon face.	-	<b>IG2340</b>	-

### Insulgrip Connector Bodies IP20 SUITABILITY

Description	Catalog Numbers		
Black and white nylon.	<b>HBL3723</b>	<b>HBL2343</b>	<b>HBL2353</b>

Note: Cord clamp range .360"-.930" (9-24).

### Insulgrip Flanged Receptacles

Description	Catalog Numbers		
Nylon casing, back wired.	<b>HBL3726</b>	<b>HBL2346</b>	<b>HBL2356</b>



NEMA L24-20P  
20A 347V AC  
UL/CSA



NEMA L8-20P  
20A 480V AC  
UL/CSA  
3 HP



NEMA L9-20P  
20A 600V AC  
UL/CSA

### Insulgrip Plugs IP20 SUITABILITY

Description	Catalog Numbers		
Black and white nylon.	<b>HBL3721</b>	<b>HBL2341</b>	<b>HBL2351</b>

Notes: Cord clamp range .360"-.930" (9-24).  
See page B-73 for Add-A-Shroud™ kit.

### Insulgrip Flanged Inlets

Description	Catalog Numbers		
Nylon casing, back wired.	<b>HBL3725</b>	<b>HBL2345</b>	<b>HBL2355</b>

Notes: Only receptacles and plugs up to 480V AC are HP rated.  
For technical information see page B-83.  
See pages B-68 and B-69 for accessories.  
See page B-63 for switched enclosure.  
HP ratings are AC only.